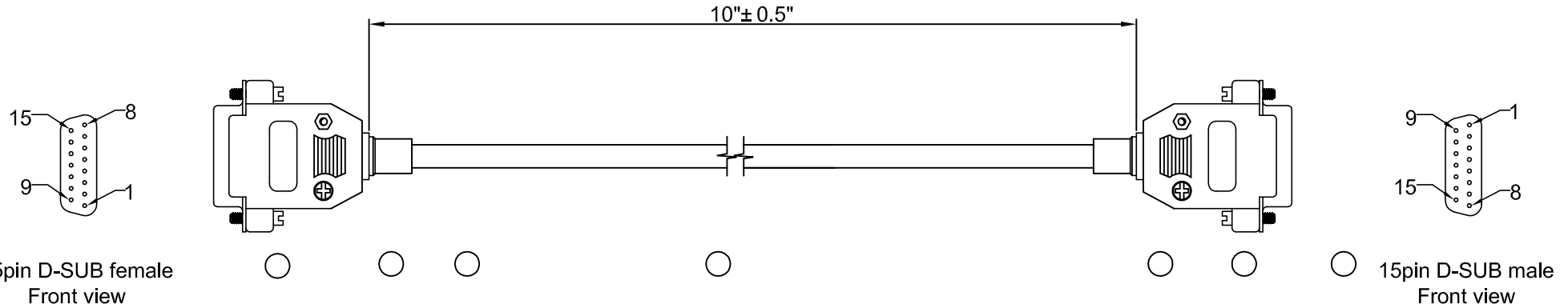


694000-01- TDW - 01

REV.	DESCRIPTION	DATE	BY
A	Creat	09.7.24	ZXL

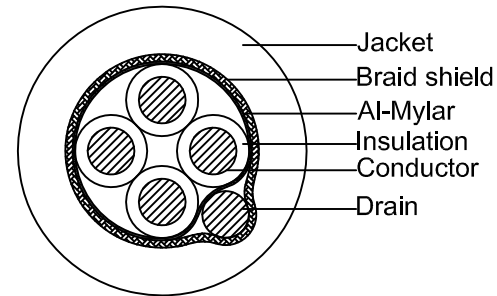


Pin out

15pin D-SUB female

15pin D-SUB male

Pin#5	Red	Pin#9
Pin#6	Blue	Pin#7
Pin#7	Black	Pin#13
Pin#15	Yellow	Pin#15
Metal body	Drain	Pin#15



Cable section view

Cable specification:

1. Conductor: 20awg/4C, tinned copper strands;
2. Insulation: PVC, OD 1.5± 0.2mm, color: red, black, blue, yellow;
3. Shield: tinned copper braid shield + Al-Mylar;
4. Drain: 20awg tinned copper;
5. Jacket: black PVC, OD 6.0± 0.3mm;

⑤	15pin female D-SUB	15pin D-SUB, female	ea	1
④	4C shield cable	20AWG/4C+Al mylar+braid shield+drain wire, OD:6.0mm	m	A/R
③	Strain relief	82-87durometer black PVC	ea	2
②	15pin D-SUB housing	15pin D-SUB housing, grey ABS material	ea	2
①	15pin male D-SUB	15pin D-SUB, male	ea	1
S/N	NAME	DESCRIPTION	QTY.	UNIT

<p>TOLERANCES UNLESS OTHERWISE SPECIFIED</p> <p>1 PLACE .3 HOLE VAR .07</p> <p>2 PLACE .13 ANGULAR 1°</p>		<p>Meridian cable 3435 Pynsky Road, Glenview Illinois 60026</p>	
Scale: No	All the dimensions are in "mm"	PART NAME: 20awg/4C shield cable with 15pin D-SUB male to female	
<p>THE DRAWING ON THIS PRINT AND INFORMATION THEREWITH ARE PROPRIETARY TO MERIDIAN CABLE, LLC., AND SHALL NOT BE USED, IN WHOLE OR IN PART WITHOUT THEIR CONSENT.</p>		<p>CHK:</p> <p>APP:</p>	<p>Material:</p> <p>Part No.: 694000-01- TDW - 01</p>
		<p>REV: A</p>	<p>SHEET 1 OF 1</p>